

Thank you for purchasing AUTEL tire tread & brake disc laser examiner. Manufactured to a high standard, our tool will, if used according to these instructions and properly maintained, give you years of trouble-free performance.



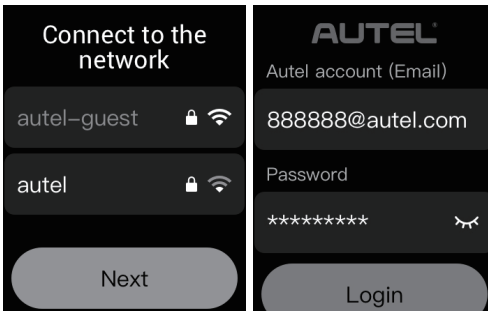
IMPORTANT: This tool is a class 3R laser product. Avoid Direct EYE Exposure to LASER. Failure to observe warnings may result in serious injury.

Software Upgrade



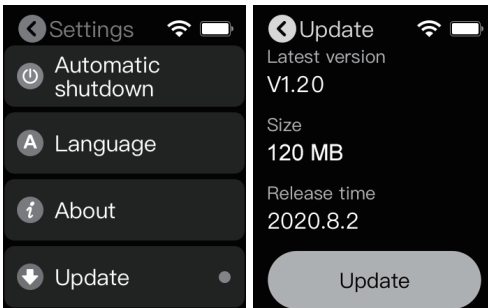
NOTE: When updating software, ensure the TBE200 is connected to the Internet, its battery is charged to at least 50 percent, or is connected to a power outlet.

1



- The Internet connection screen automatically displays when the tool is first used. Select a network and enter the password. After the tool is connected to the Internet, the registration screen displays. Create an Autel ID or log in with your registered email address and password. A green check mark displays on the screen once the tool is registered successfully.

2



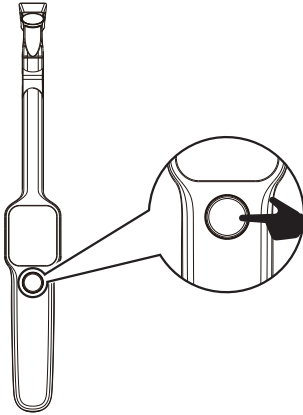
- Connect the TBE200 to Wi-Fi. When a software update is available, a red dot will display atop the **Settings** icon in the upper right corner of the Main Job screen. Tap **Update** to install the software.

Getting Started



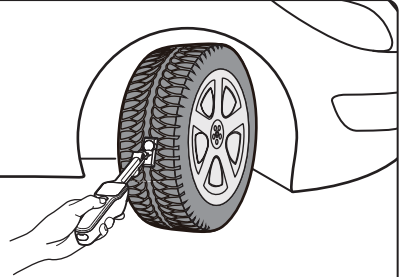
IMPORTANT: Before operating or maintaining this tool, please read the quick guide and user manual carefully, pay extra attention to the safety warnings and precautions. Use this tool correctly and properly. Failure to do so may cause damage and/or personal injury and will void the product warranty.

1



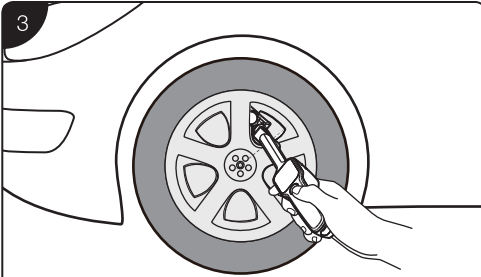
- Long press the power button to turn on the tool.

2



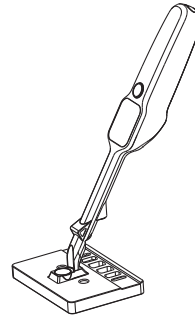
- **Tire Tread Check:** On the Main Job screen, tap the **Tread Check** icon, and place the tool on the tire surface. Short press the power button. Ensure the laser line is perpendicular to the channels of the tire. The screen will display real-time measurement data, slide left to view details. Wear status is represented by icon color: A gray icon indicates the tire is untested; green indicates the tire is in good condition; yellow indicates a replacement is recommended; red indicates immediate replacement is recommended.

3



- **Brake Disc Check:** On the Main Job screen, tap the **Brake Disc** icon, and place the tool on the disc surface. Short press the power button. Ensure the laser extension line passes through the rim center. The screen will display real-time measurement data, slide left to view details. Wear status is represented by icon color: A gray icon indicates the brake disc is untested; green indicates the brake disc is in good condition; yellow indicates a replacement is recommended; red indicates immediate replacement is recommended.

4



- **Calibration:** On the Main Job screen, tap the **Calibration** icon, and place the magnetic head on the calibration table. Press the power button to start. Wait for 1-2 minutes until calibration is complete.

Calibration frequency: Calibration is recommended every two months. Immediate calibration should be performed if deviations are detected or if the tool is dropped or in some manner mishandled.

For service and support, please contact us.

<http://pro.autel.com/> / www.autel.com/ / www.maxitpms.com | support@autel.com / supporttpms@auteltech.com

0086-755-2267-2493 (China HQ) / 1-855-AUTEL-US (288-3587) (North America)

0049 (0) 6103-2000520 (Europe) / +045 5948465 (APAC) / +971 585 002709 (IMEA)

© Autel Intelligent Technology Corp., Ltd. All Rights Reserved.